

Just updated v3

YE v3



in.ye-V3

Optimize your customers' spa experience



with Gecko's new generation of in.ye control systems

A lot more to offer

After upgrading its smaller brother, we could not resist doing the same with Gecko's in.ye. With its boosted CPU, external memory and higher capacity relays, in.ye-V3 now has the power it needs for new features... like LED lights for troubleshooting clues.

We've also added a pathway to connected accessories with faster communication, not only to open up the in.ye-V3 to the network of connected objects but to be updatable wirelessly, a definite plus for our OEM customers.

Relaxation in full colors with in.mix integration

With a light output capacity increased to 1.3A and the integration of the in.mix 300 color system on the main board, new in.lu.me cables and LED lights can be connected directly to the in.ye-V3 box with full color control directly from the keypad.

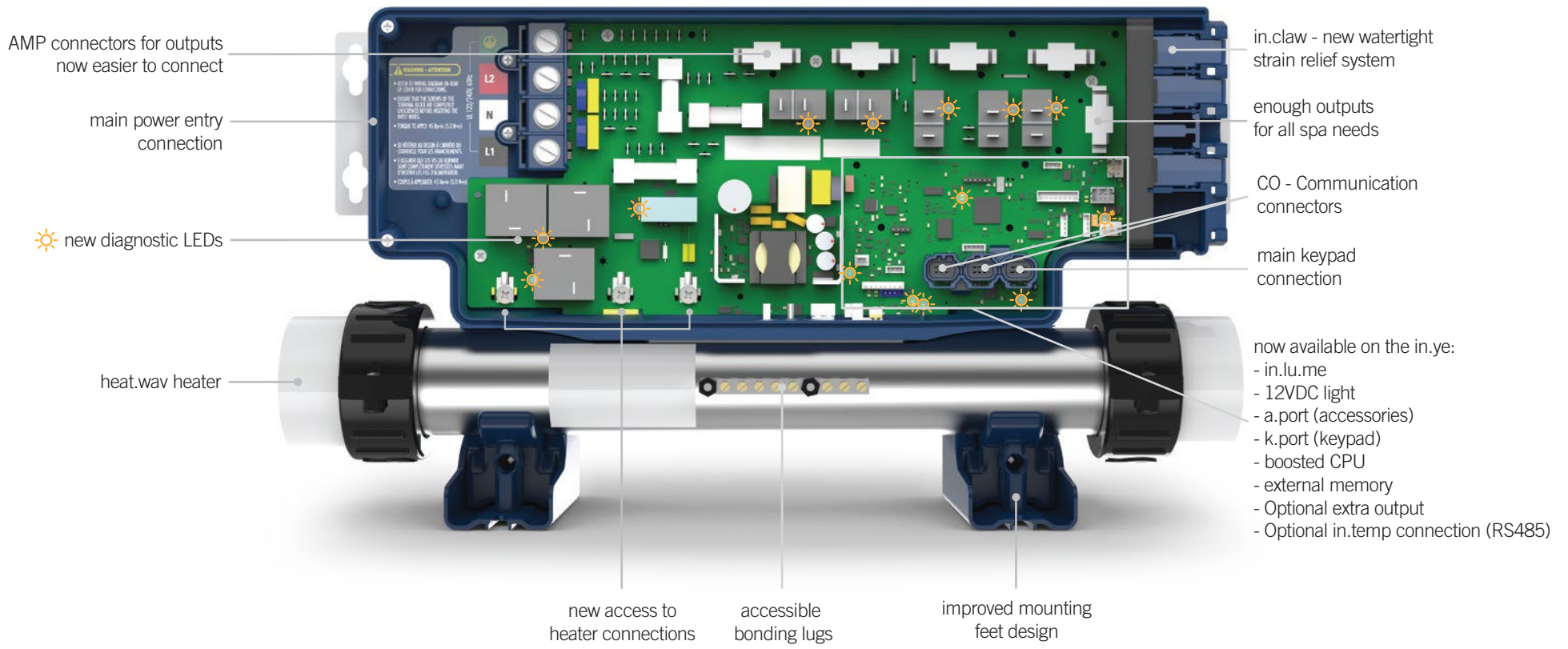
Installation made simple

With its new terminal block, onboard AMP connectors and an evolved cable strain relief system, it has never been easier to connect your accessories to a control box!

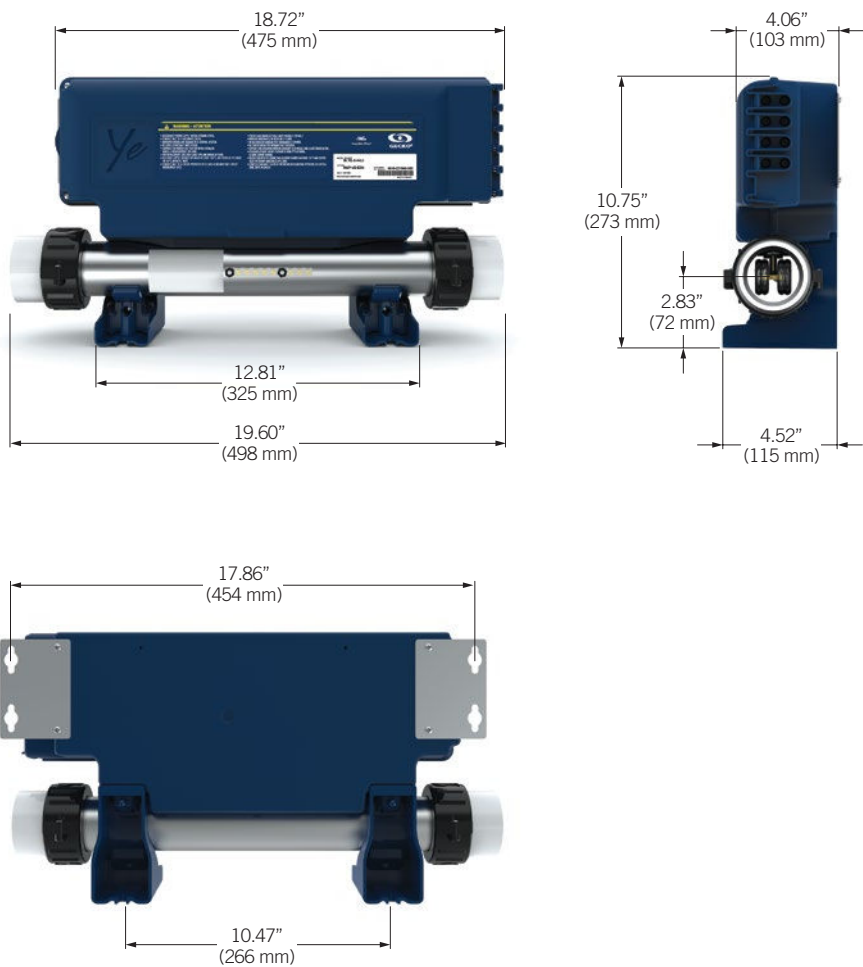


in.ye-V3

new evolved pack



in.ye-V3 dimensions



in.ye-V3 specifications

Environmental:

- Operating temperature: 32°F (0°C) to 136°F (58°C)*
- Storage temperature: -13°F (-25°C) to 185°F (85°C)
- Humidity: up to 85% RH, non condensing
- IPx5 level of waterproofing

* 118°F (48°C) for single-phase configurations (CE model only) where input current exceeds 32A (48A max).

Mechanical:

- Dimensions (W x H x D): 19.60" x 10.75" x 4.52" (498 mm x 273 mm x 115 mm)
- Weight: 7.7 lb (3.5kg)

in.ye North American electrical specifications

Input rating:

- 120/240 V nominal (+5/-10%)
 - 60 Hz (2 lines required with neutral) 48 A Max
- or (in.ye-3 only):
- 120 V nominal only (+5/-10%)
 - 60 Hz (single line with neutral) 16 A Max.

Heat.wav rating:

- Voltage: 120 or 240 V, 60 Hz
- Wattage: 5,5 kW at 240 V, 4 kW at 240 V or 1 kW at 120 V
- Flow rate: Minimum of 18 GPM (68 LPM) is required

UL/CSA Standards:

- UL 1563 Sixth Ed. (2012) (rev date 2017)
- UL File: E182156
- CAN/CSA C22.2 No. 218.1-13 (2013) (Ed. 2 - rev date 2016)

in.ye European electrical specifications

Input rating:

- 230/240 V nominal (+5/-10%)
- 50 Hz, (3 lines required with neutral), three-phased system 16 A Max per phase.

or

- 230/240 V nominal (+5/-10 %)
- 50 Hz, (2 lines required with neutral), dual-phase system 20 A Max per phase.

or

- 230/240 V nominal (+5/-10 %)
- 50 Hz, (1 line required with neutral), single-phase system 48 A max.

Heat.wav rating:

- Voltage: 230/240 V, 50 Hz
- Wattage: 3,8 kW at 230 V or 2,8 kW at 230 V
- Flow rate: Minimum of 18 GPM (68,1 LPM) is required

European and international standards:

- IEC 60335-1 : 2010, A1 : 2013, A2 : 2016
- IEC 60335-2-60 : 2017
- EN 60335-1 : 2012, A11 : 2014, A12 : 2017, A13 : 2017, A14 : 2019
- EN 60335-2-60 : 2003, A1 : 2005, A2 : 2008, A11 : 2010, A12 : 2010
- EN 62233 : 2008
- EN55014-1 (2017)
- EN55014-2 (2015)
- AS/NZS 60335.1 : 2011, A1 : 2012, A2 : 2014, A3 : 2015, A4 : 2017, A5 : 2019
- AS/NZS 60335.2.60 : 2018
- FCC part 15 (2019) subpart B
- ICES-003 (2016) + update (2019)

compatibility

Wide selection of keypads
(auto-detects the selected keypad model at power up)



in.k300
LCD display, 4 keys



in.k330
color LCD display, 5 keys



in.k500
color LCD display, 7 keys



in.k800
color LCD display, 10 keys



in.k1001+
color LCD capacitive
touchscreen display



in.k1000+
color LCD capacitive
touchscreen display

