



in.xe

Rugged, compact, slim and built to take full advantage of its cutting edge electronics.



The perfect system for entry level and mid-range spas with Gecko's breakthrough features and signature design.

Impressive features

in.xe offers an impressive list of technical features and a full range of popular configurations. It is the most advanced solution for entry level to mid-range spas with accessories.

Still the best and most advanced system

Available in UL and CE versions, in.xe is still the best and most advanced spa system in the spa and hot tub industry. Its design focuses on features and functions that appeal to everyone, from the spa manufacturer to the end user.

New functionalities

in.xe is enhanced with a new series of features like in.flo 2 intelligent dry-fire protection, soft start, soft stop technology for extended component life, board optimization, larger CPU memory and more. It can now power 5.5 kw heat.wav integrated heaters.

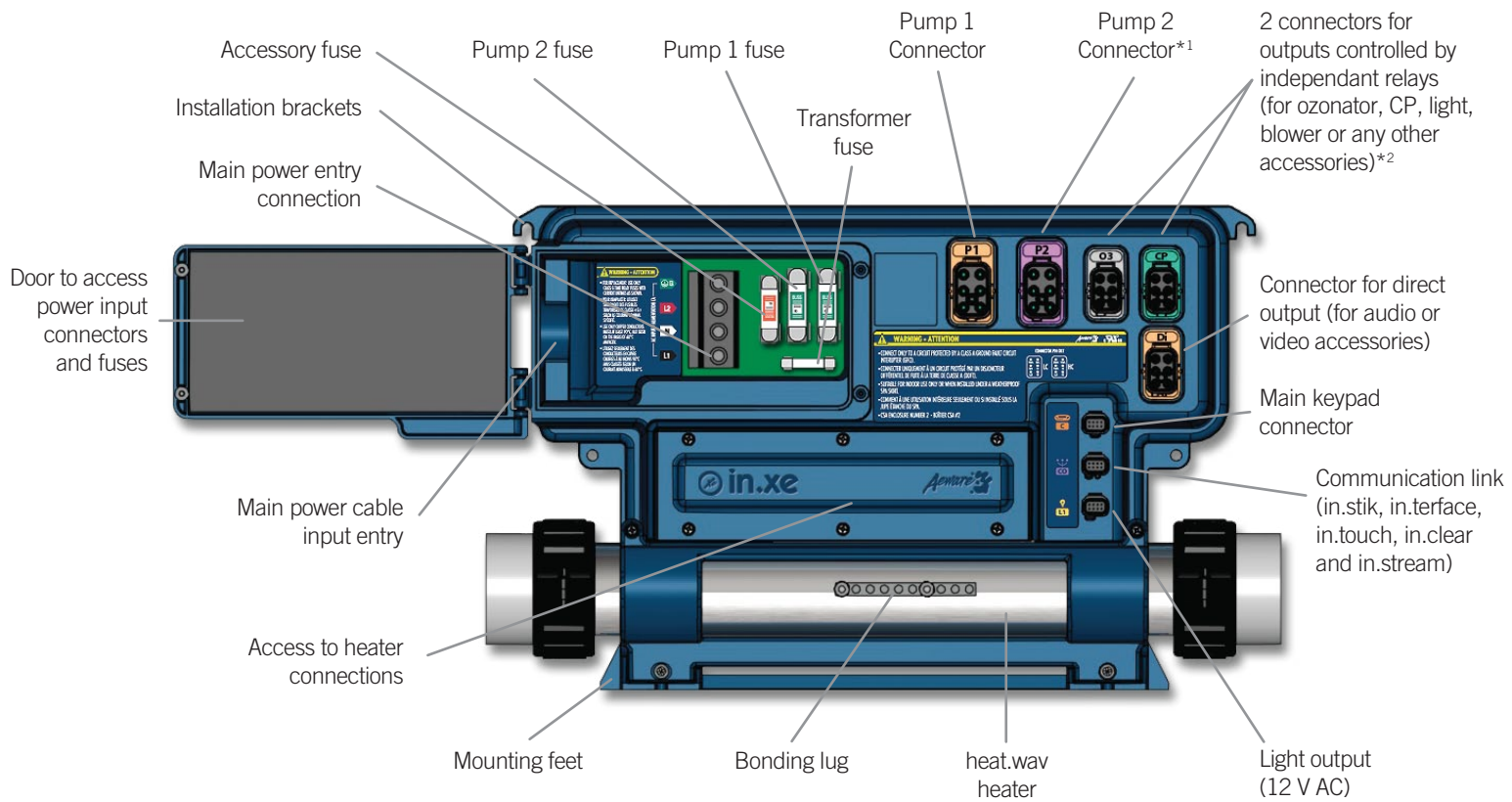
Efficient, powerful, reliable and user-friendly

Built to take full advantage of Gecko's advanced electronics, in.xe conveys a definite statement of reliability, safety and ease-of-use.

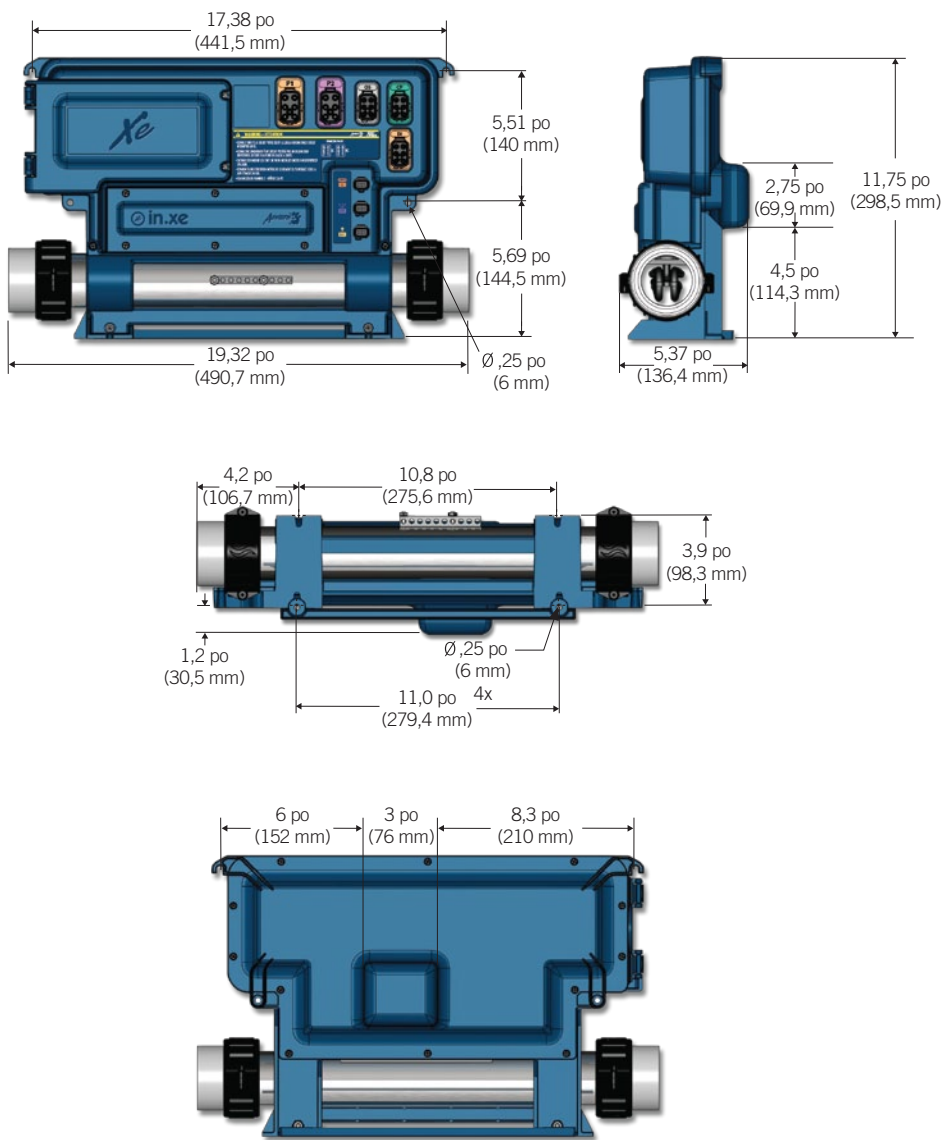


in.xe

breakthrough features and signature design



in.xe dimensions



in.xe specifications

Environmental ratings:

- Operating temperature: 32°F (0°C) to 140°F (60°C) for pump 1 up to 15 A, 32°F (0°C) to 122°F (50°C) for pump 1 up to 20 A (Controller must be installed under the spa skirt)

North American models in.xe:

- 32°F (0°C) to 140°F (60°C) for pump 1 up to 15 A
- 32°F (0°C) to 122°F (50°C) for pump 1 up to 20 A

European models in.xe.ce:

- For single-phase system (32 A Max) or 2-phase (2 x 16 A) 32°F (0°C) to 140°F (60°C)
- For single-phase system (40 A Max) or 2-phase (2 x 20 A) 32°F (0°C) to 122°F (50°C)

- Storage temperature: -13°F (-25°C) to 185°F (85°C)
- Humidity: Up to 85% RH, non condensing
- Level of waterproofing: IPx5

Mechanical:

- Dimensions (W x H x D): 17,38" x 11,75" x 5,1" (441,5 x 298,5 x 129 mm)
- Weight: 10.5 lb (4.76 kg)

in.xe North American electrical specifications

Input rating:

- 120/240 V nominal (+ 5/- 10 %)
- 60 Hz, (2 lines required with neutral) 48 A Max.

or:

- 120 V nominal only (+ 5/- 10 %)
- 60 Hz, (single line with neutral) 16 A Max.

heat.wav rating:

- Voltage: 120 V or 240 V, 60 Hz
- Wattage: 5,5 kW at 240 V, 4 kW at 240 V, 1 kW at 120 V
- Flow rate: Minimum of 18 GPM (68,1 LPM) is required

Output	Voltage	Maximum current	Typical Device
Output 1	120/240 V	20 FLA/70 LRA (in-rush)	Pump 1 high speed
	120/240 V	15 FLA/60 LRA (in-rush)	Pump 1 low speed
Output 2*1	240 V	15 FLA/60 LRA (in-rush)	Pump 2
Output 3*1	120/240 V	6 FLA/10 A	(CP)/Blower
Output 4	120/240 V	6 FLA/10 A	Ozone generator
Output 5	120/240 V	10 A (always ON)	Audio/video
L1	12 V AC	1 A	Light

in.xe European electrical specifications

Input rating:

- 230/400 V nominal (+ 5/- 10 %)
- Dual-phased system 20 A Max per phase

or:

- 230 V nominal (+ 5/- 10 %)
- Single-phased system 40 A Max

heat.wav rating:

- Voltage: 230 V, 50 Hz
- Wattage: 3,8 kW at 230 V, 2 kW at 230 V, 1,3 kW at 230 V
- Flow rate: Minimum of 18 GPM (68,1 LPM) is required

Output	Voltage	Maximum current	Typical Device
Output 1	230 V	15 FLA/60 LRA (in-rush)	Pump 1 high and low
Output 2*1	230 V	15 FLA/60 LRA (in-rush)	Pump 2
Output 3*1	230 V	6 FLA/10 A	(CP)/Blower
Output 4	230 V	6 FLA/10 A	Ozone generator
Output 5	230 V	10 A (always ON)	Audio/video
L1	12 V AC	1 A	Light

Important:

The maximum power for Outputs 3 to 5 on fuse F3 cannot be over 12 A.

UL/CSA Standards:

- UL 1563 sixth ed. (2012)
- UL file: E182156
- CSA No. 22.2 - 218.1-M89 (2013)

TUV Standards

- EN/IEC 60335 - 2 - 60: /A12:2010
- EN/IEC 60335 - 1: /A15:2011
- EN55014-1
- EN55014-2
- EN61000-3-2
- EN61000-3-3

Wide selection of keypads (auto-detected by the system upon connection)



*1 Available only on IN.XE-5.

*2 Only one output is available on IN.XE-3

