



ACC Smarttouch 1000 Guidelines Spa Pack



These instructions on wiring and installation are provided as a guideline to assist you. Some experience of electrical wiring and do-it-yourself is required to install the light. If at any time you are unsure of how to proceed, **you must consult a qualified electrician.**

Voltage

The parts supplied by www.buildahottub.com are designed around a 4-wire 240V system. We do not supply parts in our configurations for 110V systems as they tend to be underpowered.

Therefore, you need to make sure you configure your system for 240V.

The system is 240V, 41A @ 60HZ

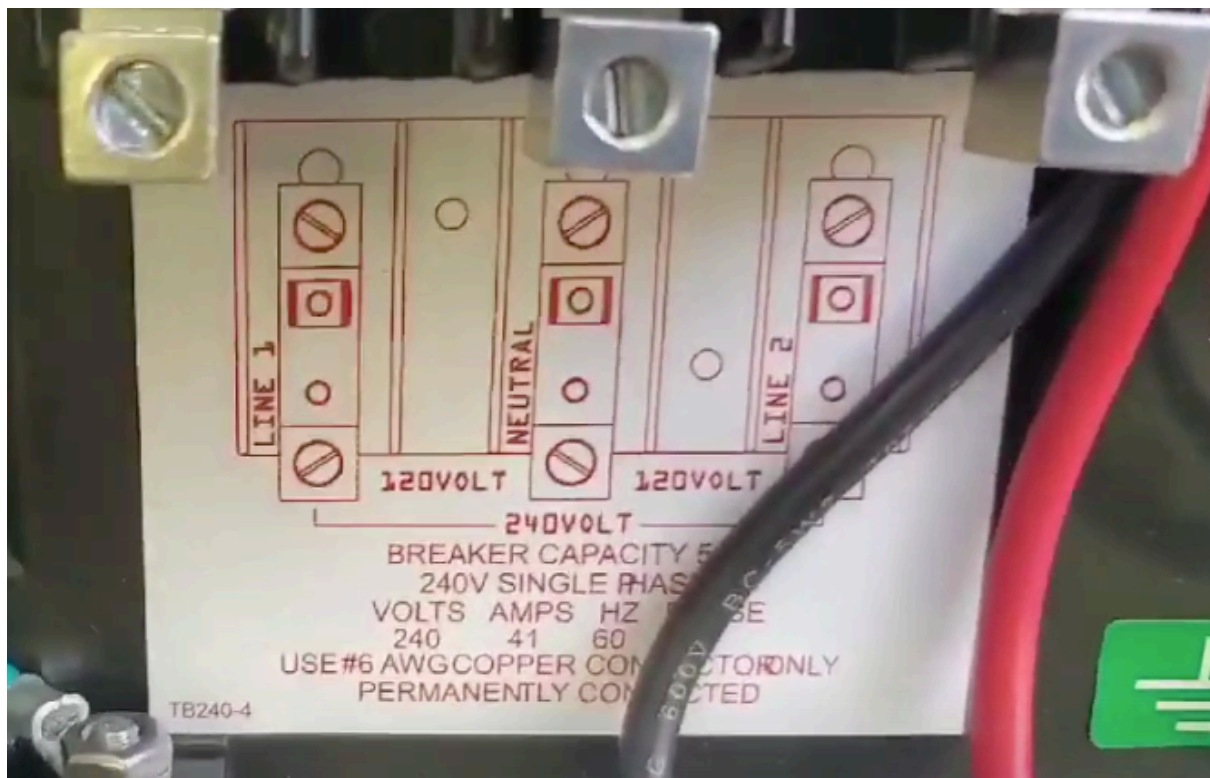
Please use #6 AWG Copper Conductors

Connecting Power

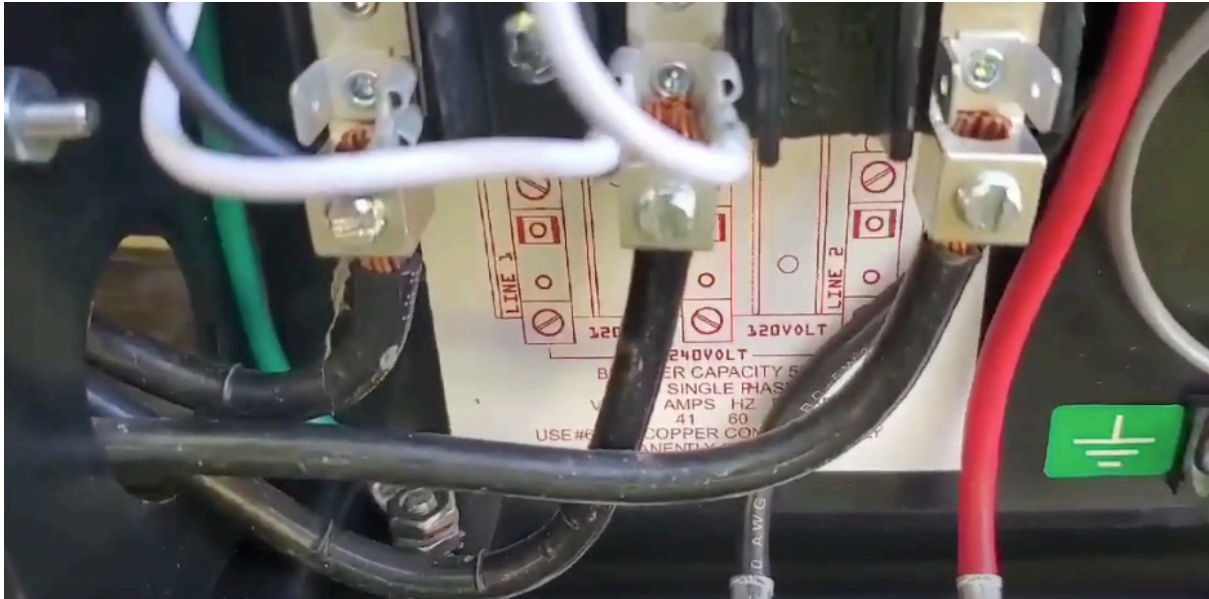
Neutral in the middle.

Line 1 to the left.

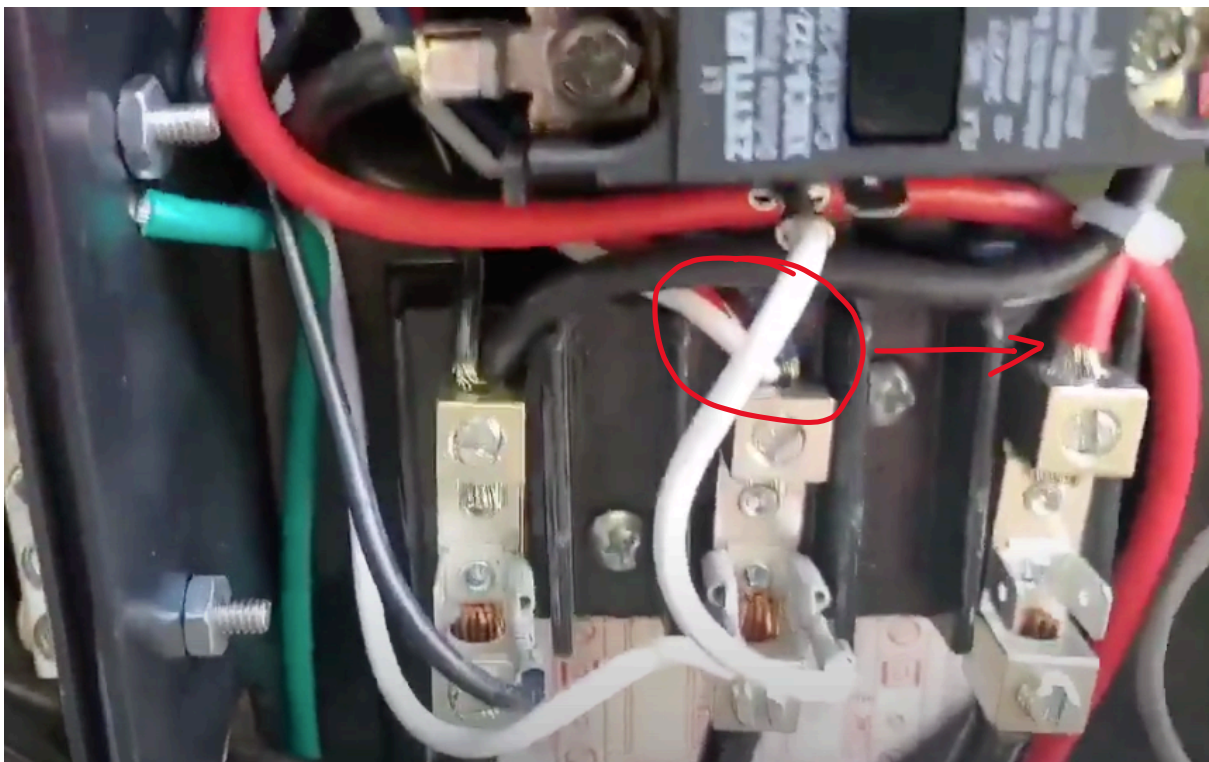
Line 2 to the right.

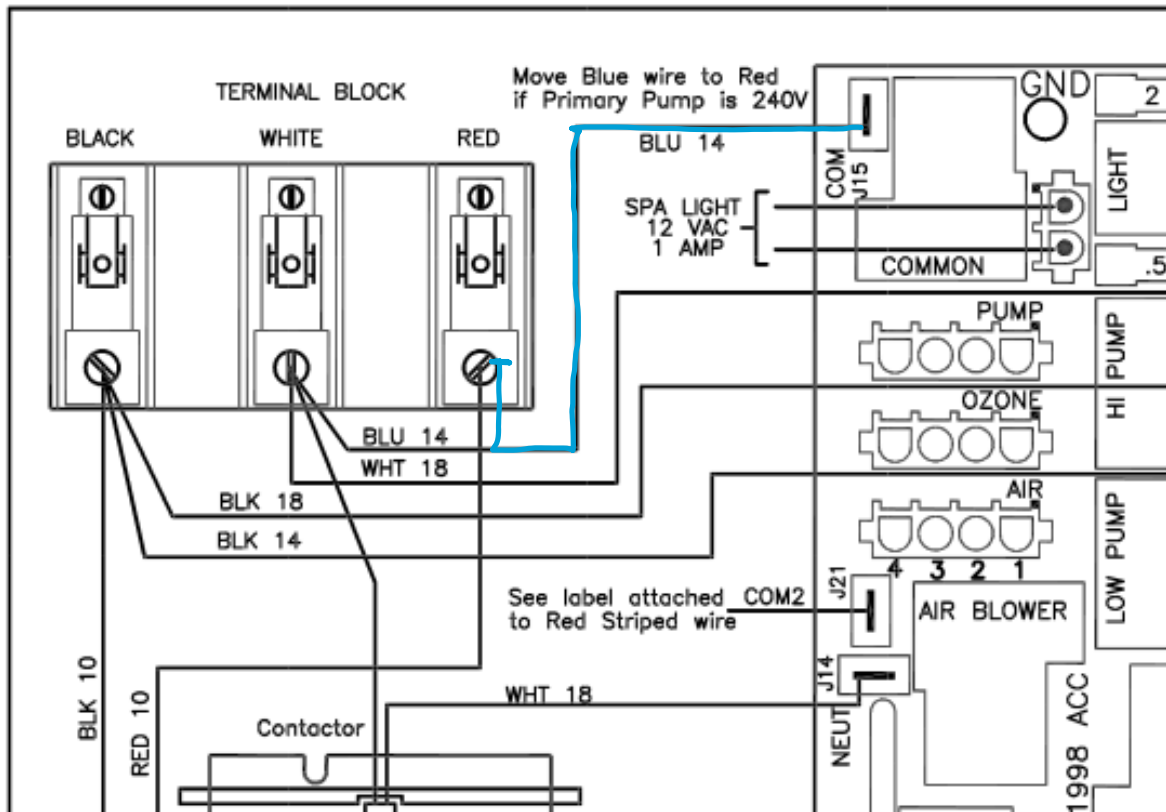


Should look something like this when connected.



As we are using 240V you also need to move two cables over. The Blue Cable (which is the pump) and the Red & White Stripe Cable (which is the blower) need to move from the neutral connector, over to the Line 2 as shown in the photograph below. (Solid White cable stays where it is)





Pump Wiring

The pump cables that are supplied with the ACC Smart Touch have the following colours.

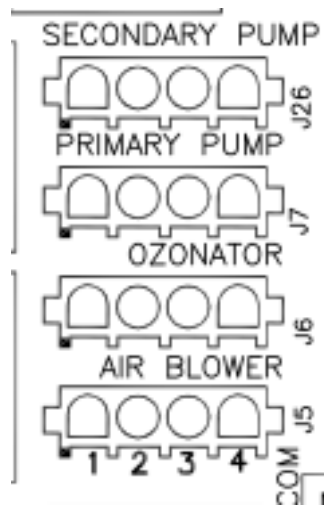
Black Wire is the High Speed.

Red Wire is the Low Speed

Green goes to Green on the Pump

White goes to White on the Pump

Pin Diagrams



CONNECTOR PINOUT	PIN 1	PIN 2	PIN 3	PIN 4
PUMP	COMM L2	HI SPEED (BLK)	GROUND	LO SPEED(RED)
OZONE	COMM NEUT	LINE 1(LOPUMP)	GROUND	GROUND
AIR	COMM NEUT	LINE 1	GROUND	GROUND
PUMP	COMM L2	HI SPEED (BLK)	GROUND	LO SPEED(RED)
ACCESSORY	NORM OPEN	INPUT	NORM CLOSED	

Generally, the systems supplied by www.buildahottub.com involve dual speed pumps and a blower.

The blower will plug into “Air Blower” and the pump will plug into “Primary Pump”

Depending on the model of pump supplied, you will need to check the wiring diagram to see which is high and which is low speed terminals.

Do not connect the Pool Light supplied by www.buildahottub.com to the control unit. It is not compatible.